



VIVAX
METROTECH

seba **KMT** 

vCamLS vCamLSR



vCamLS

The latest addition to the vCam range of CCTV inspection cameras is the **vCamLS** (vCam Look See). This rugged, simple camera system can be used for many applications where hard to reach inspection is required.

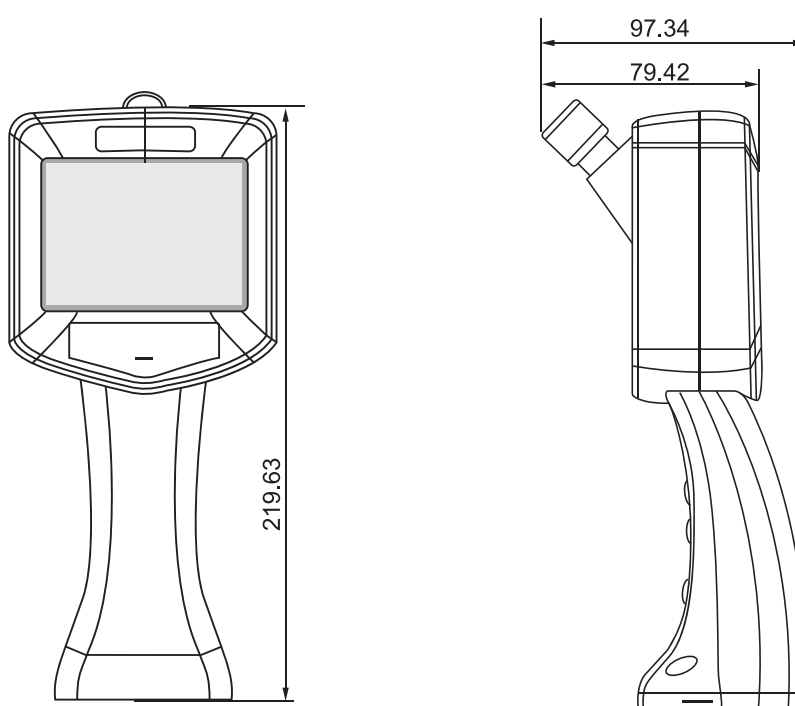
The camera heads are waterproof and useful for many applications

- ▶ Inspecting small pipes
- ▶ Tanks (non inflammable/explosive storage tanks)
- ▶ Ducts
- ▶ Cabling systems
- ▶ Process plant
- ▶ Machinery
- ▶ Behind dry wall
- ▶ In Ceilings
- ▶ And any other applications where a **Look & See** can help

vCamLS hand-held unit with 3.5inch (85mm) TFT display, video output socket, powered by 4 x AA batteries, camera and cable.

- ▶ Installation and repair technicians
- ▶ Plumbers
- ▶ Contractors
- ▶ Rescue and law enforcement
- ▶ The home owner

Warning: the vCamLS should not be used in inflammable or explosive applications such as fuel tanks or any area where inflammable or explosive agents are present.



vCamLS vCamLSR



vCamLSR is the combination of **vCamLS** with Type-S reel, a 60ft(20m) cable reel. This gives you the flexibility to perform inspection of places that are difficult to reach with a range of different camera sizes.

Cable:

- ▶ 0.14inch (4mm) x 60ft (20m)

Reel Assembly:

- ▶ Main control board (built in the stainless water proof cylinder)
- ▶ Built in power adaptor
- ▶ Video output socket
- ▶ internal Ni-MH rechargeable battery
- ▶ Sonde transmitter for – D17, D25, B33 camera heads



vCamLS vCamLSR

Standard options for vCamLS are:

- ▶ 9mm (D9/ROD) camera with 3ft (1m) rod
- ▶ 9mm (D9/ROD) camera with 6ft (2m) rod
- ▶ 17mm (D17/ROD) camera with 3ft (1m) rod
- ▶ 17mm (D17/ROD) camera with 5ft (1.5m) rod



Standard options for vCamLSR are:

- ▶ 17mm (D17/STD) camera with 60ft (20m) pushrod cable/reel
- ▶ 25mm (D25/STD) camera with 60ft (20m) pushrod cable/reel
- ▶ 33mm (B33/STD) camera with 60ft (20m) pushrod cable/reel



Phone 02 9972 9244 Fax 02 9972 9433
Unit 1, 176 South Creek Road, Cromer NSW 2099
Email sales@sebakmtaus.com

Disclaimer: All product availability or product accessory information is subject to change without notice.